

# NEW! 2-WAY ELECTRONIC VALVES, MANIFOLD & CARTRIDGE MOUNT



## Easy Mounting

The DT/DV series electronic valves are available with two mounting options. Manifold models are equipped with a bottom stud, 5/32" long with #10-32 thread, which fits Clippard standard and special manifolds, accessory valves and subplates. Spanner holes in the valve body permit tightening.

Cartridge models fit into a 3/4" and 5/16" bore.



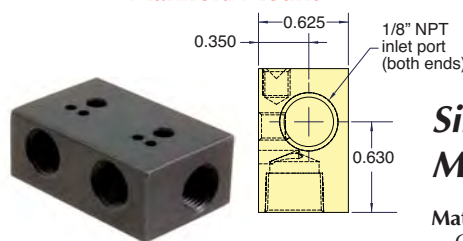
## Multi-Station Manifolds

**Material:** Black anodized aluminum.

**Ports:** 1/8" NPT

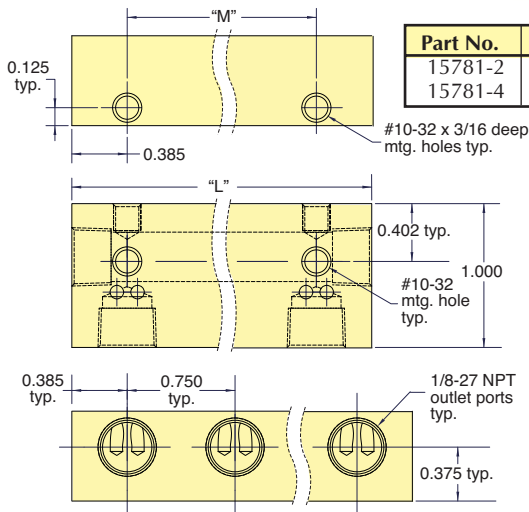
Part No.	
<u>15781-2</u>	2-Station Manifold
<u>15781-4</u>	4-Station Manifold

### Manifold Mount

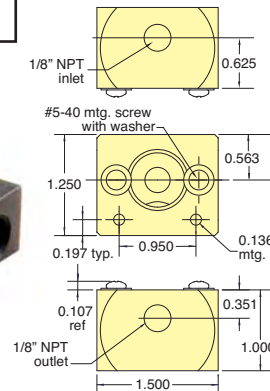


## Single-Station Manifolds

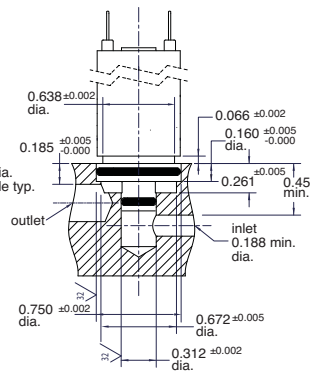
**Material:** ENP brass standard. Others materials available, consult factory.



Part No.	Stations	Length "L"	Length "M"
<u>15781-2</u>	2	1.52	0.75
<u>15781-4</u>	4	1.74	2.25



### Cartridge Style



Part No.	
<u>15492-1</u>	Single-Station Cartridge Manifold

## NEW! EFB Series Fill & Bleed Circuits

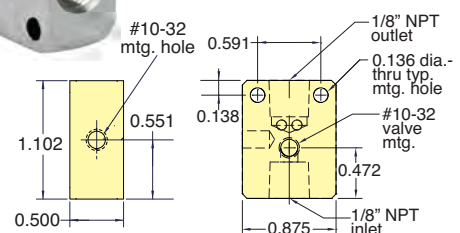


These compact Fill & Bleed circuits are a combination of electronic valves and manifolds used to inflate and vent or release pressure in a controlled system. These circuits are primarily used in applications where a particular pressure, firmness, or position can be controlled with the addition or venting of pressure.

See Page 210.



### Manifold Mount



Part No.	
<u>15490-5</u>	Single-Station Manifold Mount